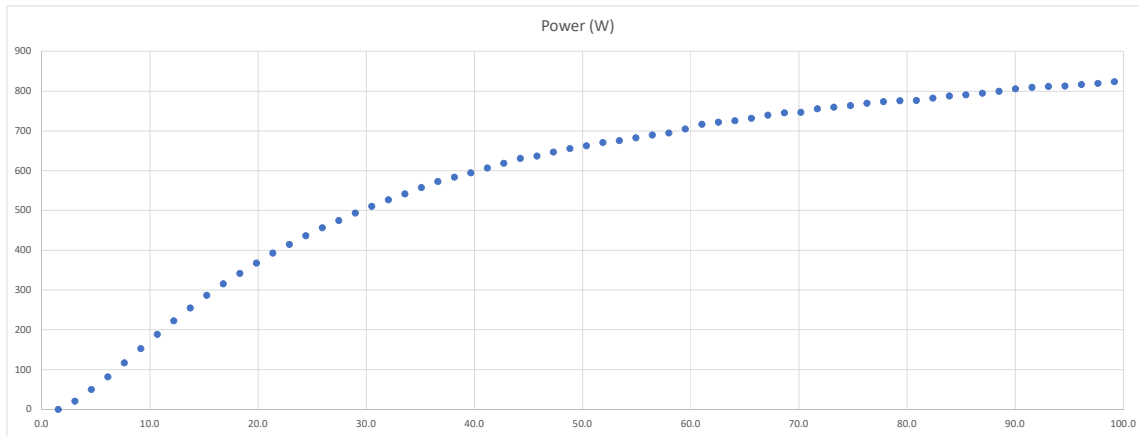
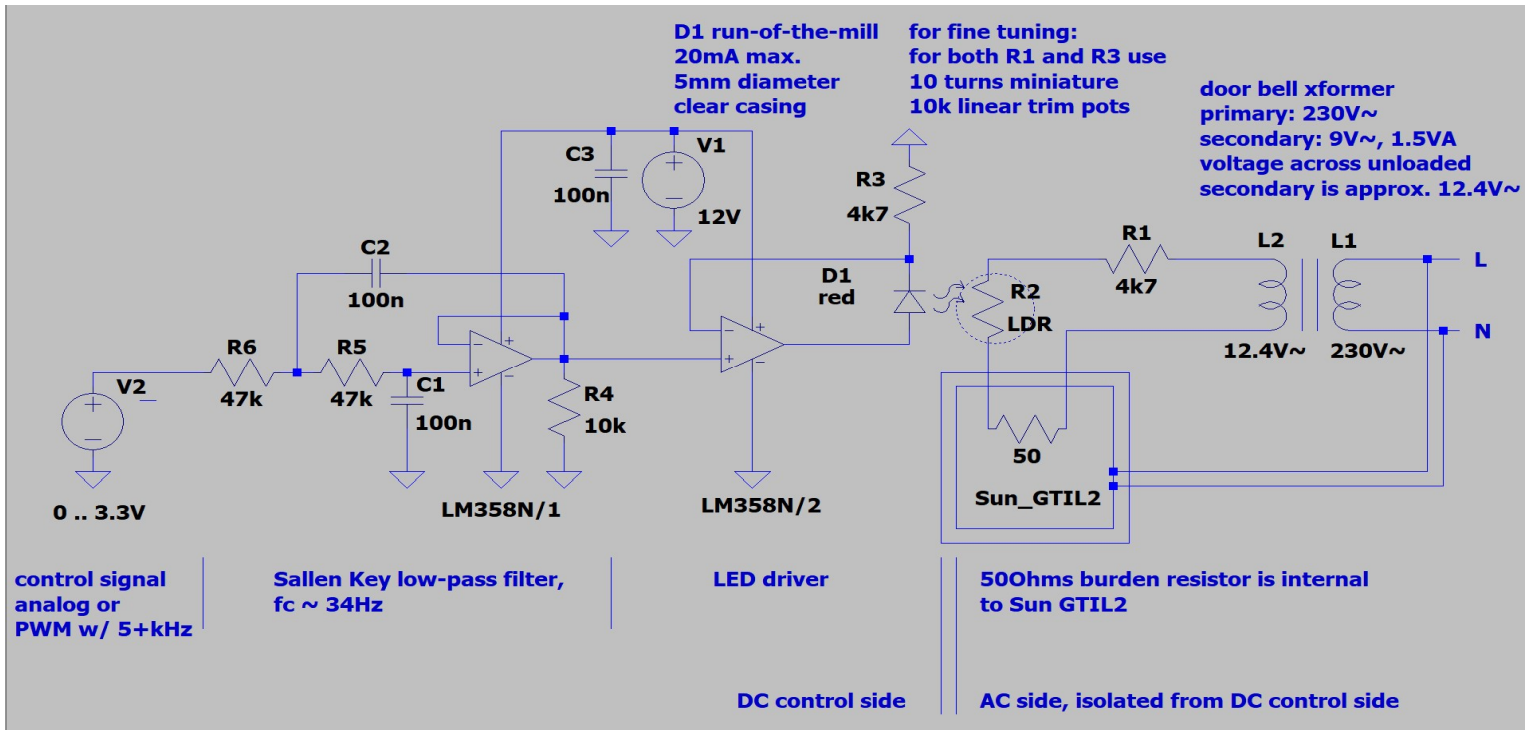


duty_u16	duty_cycle (%)	Power (W)
1000	1.5	0
2000	3.1	21
3000	4.6	50
4000	6.1	82
5000	7.6	117
6000	9.2	153
7000	10.7	189
8000	12.2	223
9000	13.7	255
10000	15.3	287
11000	16.8	316
12000	18.3	342
13000	19.8	368
14000	21.4	393
15000	22.9	415
16000	24.4	437
17000	25.9	457
18000	27.5	475
19000	29.0	494
20000	30.5	511
21000	32.0	527
22000	33.6	542
23000	35.1	558
24000	36.6	573
25000	38.1	584
26000	39.7	595
27000	41.2	607
28000	42.7	619
29000	44.3	631
30000	45.8	637
31000	47.3	647
32000	48.8	656
33000	50.4	663
34000	51.9	671
35000	53.4	676
36000	54.9	683
37000	56.5	690
38000	58.0	695
39000	59.5	705
40000	61.0	717
41000	62.6	722
42000	64.1	726
43000	65.6	732
44000	67.1	740
45000	68.7	746
46000	70.2	747
47000	71.7	756
48000	73.2	760
49000	74.8	764
50000	76.3	770
51000	77.8	774
52000	79.3	776
53000	80.9	777
54000	82.4	783
55000	83.9	788
56000	85.5	791
57000	87.0	795
58000	88.5	800
59000	90.0	806
60000	91.6	810
61000	93.1	812
62000	94.6	813
63000	96.1	817
64000	97.7	820
65000	99.2	824



```

1 # Raspberry PI Pico
2 # MicroPython 1.18
3 from machine import Pin, PWM
4
5 pwm = PWM(Pin(15))
6 pwm.freq(10000)
7 pwm.duty_u16(...)

```